

Masport®

EUROPEAN ROTARY MOWERS

SERIES 19 - OPC

	<u>Part number</u>	<u>Model</u>	<u>Engine</u>
MASPORT	579976	550 ST SP Combo	B & S Series 675
MASPORT	573930	550 ST SP Combo	Honda GXV 160

Month and Year of First Manufacture - Jan 2009
SERIAL NUMBER STARTING FROM - 7212243

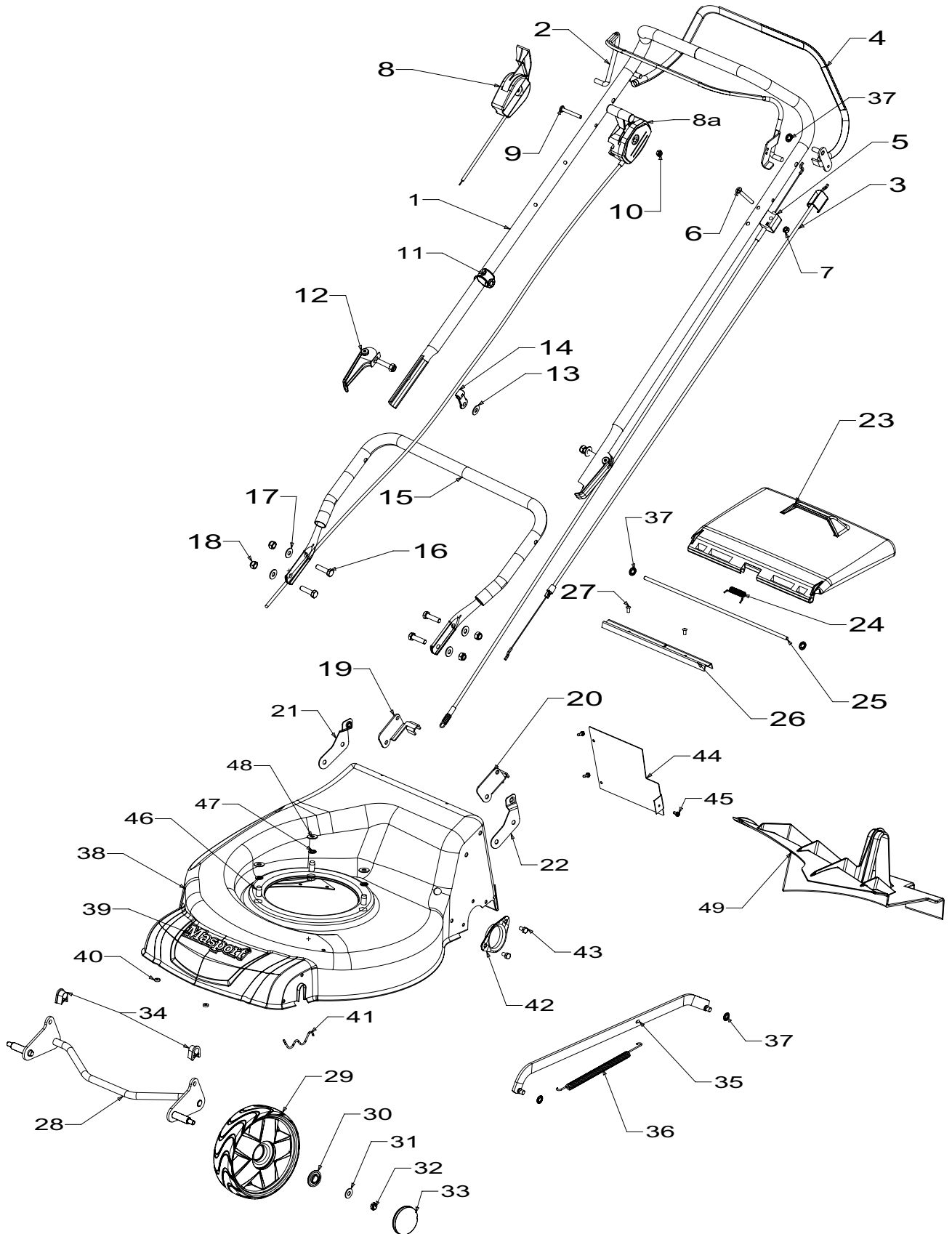




Powered by:
550 ST : B & S Series 675
550 ST : Honda GXV 160

Masport

Issue B
July 2011 BH
REF # 779976S



When ordering PLEASE QUOTE PART NUMBER & Description, NOT Illustration No.
Determine right or left hand side from standing in operating position (standing at handle)



Powered by:
550 ST : B & S Series 675
550 ST : Honda GXV 160

Masport

Issue B
July 2011 BH
REF # 779976S

Item No	Part No	Description	Qty	Item No	Part No	Description	Qty
1	781265	Handle- Upper, Upturned, OPC	1	32	503831	Nut, M8 Hex Nyloc 6 Thck	2
2	981740	Bail Arm Assy, OPC Flatnd	1	33	579198	Hub Cap, Button Spoked Silver	2
3	581656	Cable- Engine, OPC Push On	1	34	580030	Bush- Pivot, Axle	2
4	982161	Bail Arm Assy, SP	1	35	573498	Rod Assy, Connecting 19" ST SP	1
5	582235	Cable- Cl tch, Thumb Wheel	1	36	580621	Spring, Counter Balance SP	1
6	503604	Screw, Pan M6x45 Poz ZP	1	37	501365	Clip- Starlock, 5/16"	6
7	501764	Nut, M6 Nylocx 6 Thck	1			==	
B&S Engine Throttle:				38	773397	Housing-StlT 19" XF CO SP Ttnm	
8	583458	Control- Throttle, Housing Wescon	1			incl. items 39 - 40	1
9	503604	Screw, Pan M6x45 Poz ZP	1	39	581240	• Nameplate, Masport Blk/White	1
Honda Engine Throttle:				40	503150	• Clip - Starlock, 5 Dia	2
8a	582506	Control- Throttle, Capro "T"	1	41	529674	Retainer, Axle Front "W"	2
9	503508	Screw, Pan M6x55 Poz ZP	1	42	981178	Retainer, Axle Rear	2
10	501764	Nut, M6 Nylocx 6 Thck	1	43	501959	Screw, Set M6x12 Hex	4
11	703856	Comfort Start Kit	2	44	573578	Tunnel- GBox Cover 19" Stl	1
12	980456	Cam Lock Assy	2	45	503630	Screw, S/T M4x10 Washer	3
13	501606	Washer, Flat 8x19x1.6	2	B&S Engine Fastenings:			
14	581527	Retainer- Clutch Cable	1	46	580453	Screw,S/T 3/8x1-1/8 UNC TRIBLK	3
		==		Honda Engine Fastenings:			
15	973125	Handle- Lower, "U" 19" Wide	1	46	501345	Screw,SET 5/16x1.25 HEX HT	2
16	501597	Screw, Set M8x20 Hex	4		501603	Screw,SET M8x50 HEX HT	1
17	501606	Washer, Flat 8x19x1.6	4	47	503747	Washer, Spg 8	3
18	501793	Nut, M8 Nylocx 8 Thck	4	48	501606	Washer, Flat 8x19x1.6	3
19	573436	Bracket- RH, 19"/21" ST Aero	1	49	579130	Insert- Mulching, 19" ST SP	1
20	573435	Bracket- LH, 19"/21" ST Aero	1	NOT ILLUSTRATED			
21	579210	Bracket- Flap, RH 19"	1	569324	Owners Manual		1
22	579209	Bracket- Flap, LH 19"	1	783529	Blade- Quick Cut, 485mm (2 per)		1
		==					
23	579056	Flap- Mower, 19"	1				
24	579213	Spring, Flap 19" ST	1				
25	783312	Wire- Flap, Pivot 325x8	1				
26	579211	Seal - Flap, Dust Plastic 19"	1				
27	581369	Rivet - Pop, 4.0x3.2	2				
		==					
28	983247	Axle Assy, Front 175mm Thrd	1				
29	579196	Wheel Assy- 175mm BB Spoked					
		Incl. item 30	2				
30	551212	• Bearing- Wheel, Ball Type	4				
31	501606	Washer, Flat 8x19x1.6	2				

Bold Text = Assemblies
Bulleted Text = Items included in Assemblies

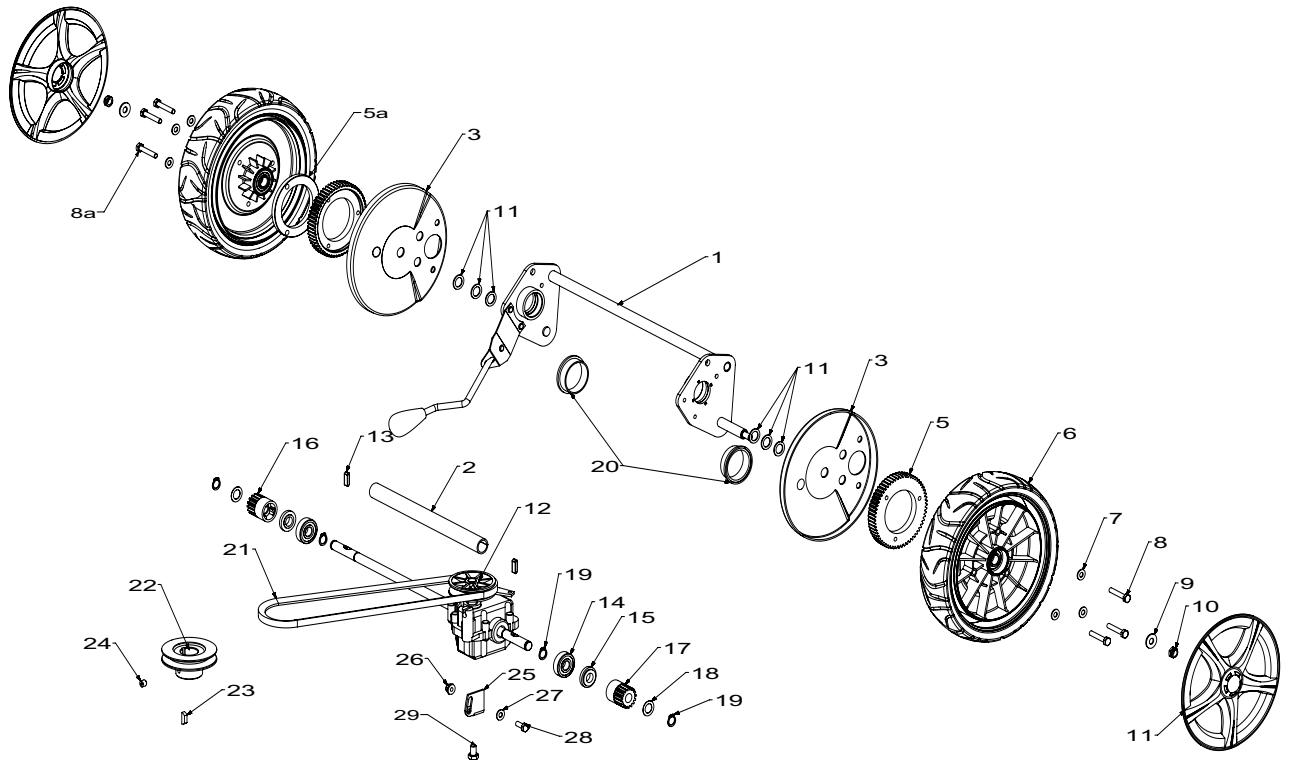
When ordering PLEASE QUOTE PART NUMBER & Description, NOT Illustration No.
Determine right or left hand side from standing in operating position (standing at handle)



Powered by:
550 ST : B & S Series 675
550 ST : Honda GXV 160

Masport

Issue B
July 2011 BH
REF # 779976S



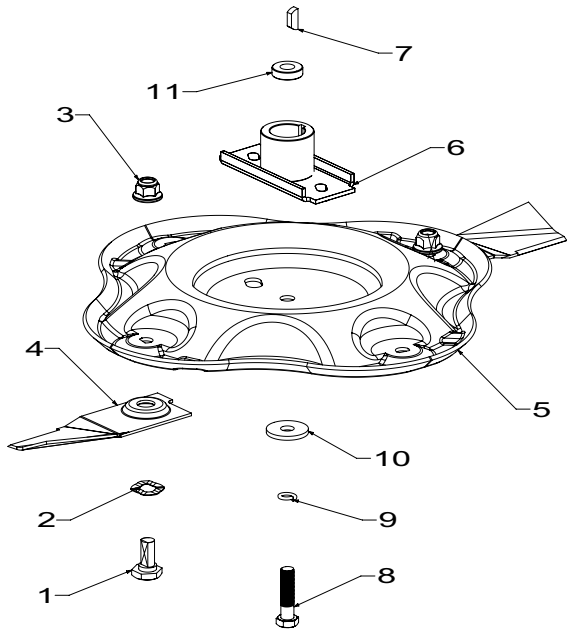
Item No	Part No	Description	Qty	Item No	Part No	Description	Qty
1	773417	Axle Assy, Rear Drive MSV SP	1	B&S Engine:			
2	583563	Sleeve, Rear Axle MSV SP	1	22	573777	Pulley- Engine, 25Bx79DX SP	1
3	579426	Dust, Cover RH + LH MSV SP	2	23	503363	Key- W/Ruff 5/8x3/16x1/4	1
5	569180	Gear, Driving- 45 Teeth	2	Honda Engine:			
5a	569479	Spacer Gear Driving	1	28	979045	Pulley- Engine, 1"x5/32" SP	1
6	579070	Wheel Assy- 220mm BB MSV SP	2	23	503636	Key- W/Ruff 5/8x5/32x1/4	1
7	501703	Washer, Flat 6x14x1.2	6	24	503386	Screw, Grub M8x8	1
8	501815	Screw, Set M6x35	3	25	573593	Mount, Gearbox 19" ST SP	1
8a	503794	Screw, Set M6x40HT4.6HEX	3	26	503973	Nut, M6 Nyloc Flange	1
9	501606	Washer, Flat 8x19x1.6	2	27	501703	Washer, Flat 6x14x1.2	1
10	503831	Nut, M8 Nyloc 6 Thck	2	28	501702	Screw, Set M6x16	1
11	579207	Hub Cap, 220mm MSV SP Sil	2	29	501863	Screw, Set M8x12	1
12	583487	Gear Box, Single Speed MSV	1				
13	581092	Pawl, Pinion 950 SP	2				
14	501213	Bearing, 12x32x10 6201 2RS	2				
15	581093	Cap, Pinion 950 SP Plastic	2				
16	569179	Pinion, RH 12 Teeth	1				
17	569178	Pinion, LH Teeth	1				
18	503102	Washer, Flat 12x20x0.4	2				
19	503759	Circlip, 12 EXT DIN 471	4				
20	580091	Bush- Pivot, Rear Axle	2				
21	569337	Belt- V RE 'Kaiou 9.5x785LA	1				

When ordering PLEASE QUOTE PART NUMBER & Description, NOT Illustration No.
Determine right or left hand side from standing in operating position (standing at handle)



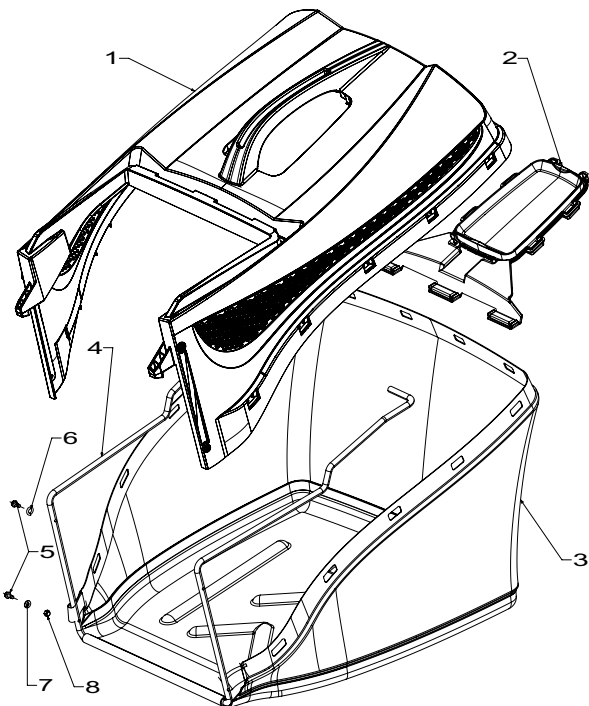
Powered by:
 550 ST : B & S Series 675
 550 ST : Honda GXV 160

485mm Disc Blade Assembly



Item	Part No	Description	Qty
1	581707	Bolt - Pivot M10x22	2
2	580693	Washer, Wavy 13.4 x 24.2	2
3	503672	Nut, Flange Nyloc M10	2
4	983529	Blade, Quick Cut - 485mm	2
5	983314	Disc Blade Contoured	1
B&S Engine:			
6	031640	Driver Assy-Blade - 25mm	1
7	500363	Key, Woodruff - 5/8" x 3/16" x 1/4"	1
8	581610	Screw, Set NF 3/8" x 1.25 NYG8	1
Honda Engine:			
6	014173	Driver Assy-Blade - 7/8"	1
7	500636	Key, Woodruff - 5/8" x 5/32" x 1/4"	1
8	503543	Bolt, Hex NF 3/8" x 1.5 NYG8	1
9	500204	Washer, Spring 3/8"	1
10	503855	Washer, Flat 9.75 x 30 x 4	1
Honda Engine only:			
11	583542	Spacer- Driver, Honda 22x6	1

Catcher Assembly Aero 773401



Item	Part No	Description	Qty
1	573373	Catcher, Top 19/21"	1
2	573370	Catcher, Top Insert	1
3	573375	Catcher, Bottom 19/21"	1
4	573376	Catcher, Frame 19/21"	1
5	501023	Screw, S/T M4x20	4
6	501024	Washer- Spg 4	2
7	503593	Washer, Flat 4 x 8 x 1.0	2
8	503875	Nut, M4 Hex Nyloc	2